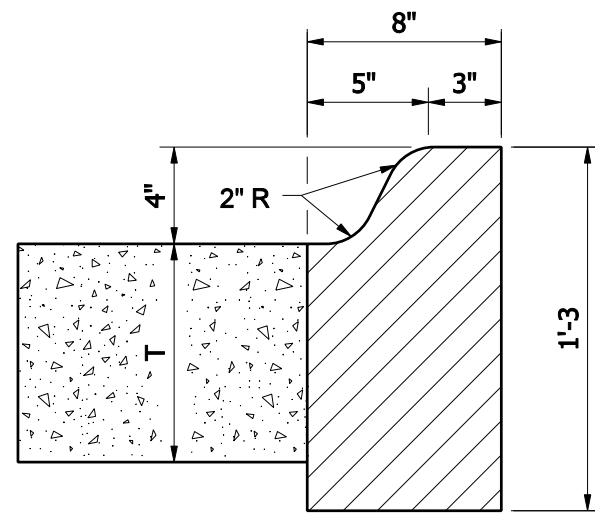
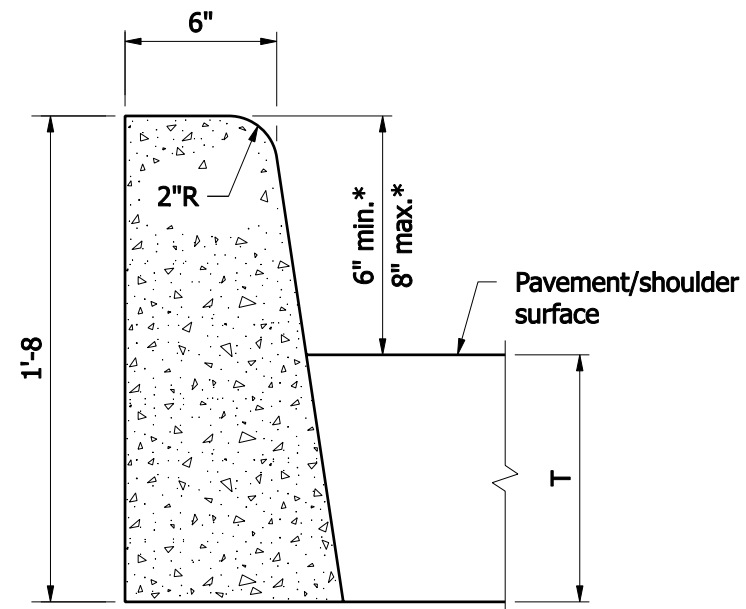


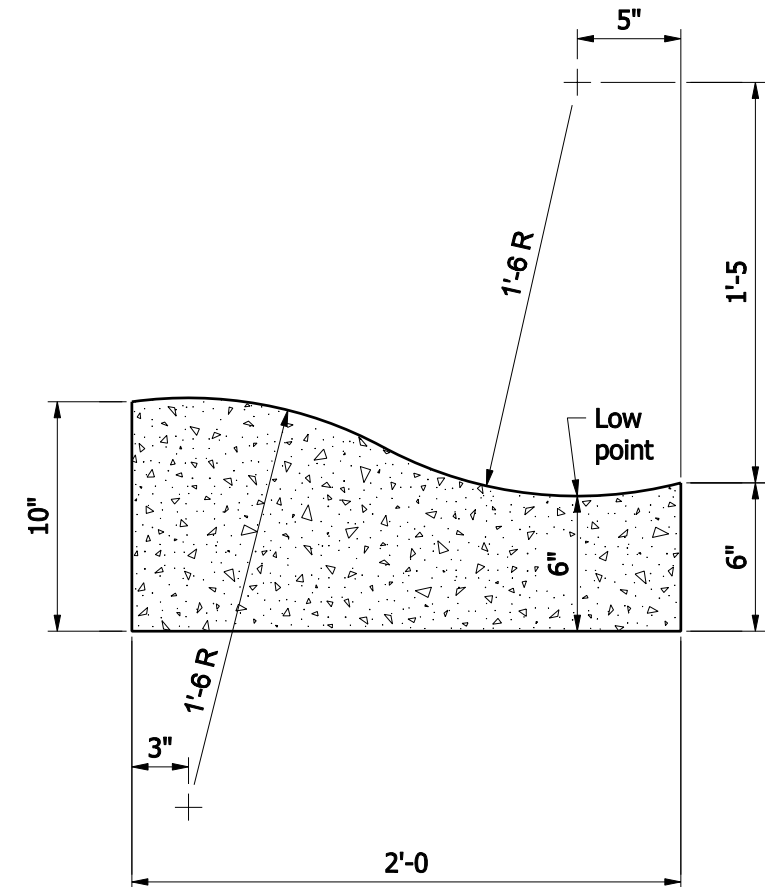
**ASPHALT CURB
(MOUNTABLE)**



**CONCRETE CURB
TYPE B
(MOUNTABLE)**



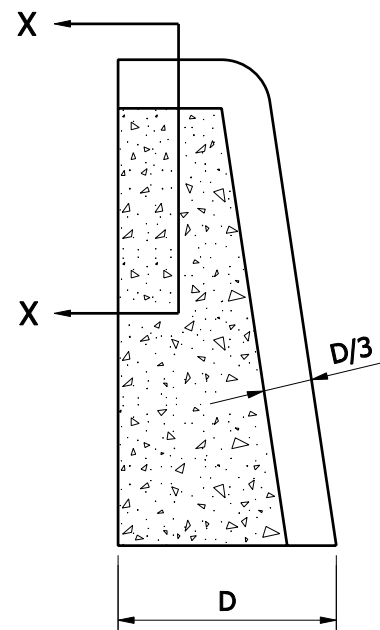
**CONCRETE CURB
(BARRIER)**



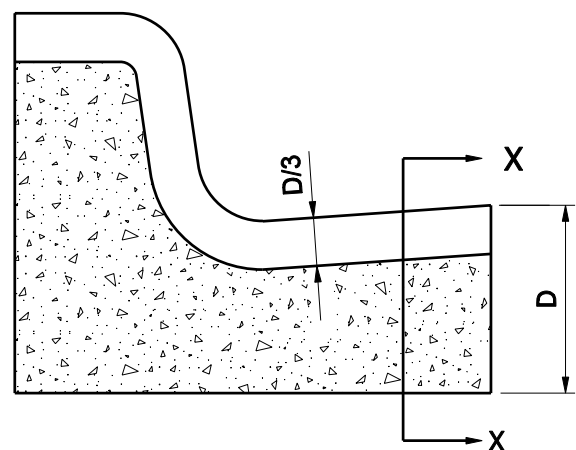
**ROLLED CURB
(MOUNTABLE)**

LEGEND

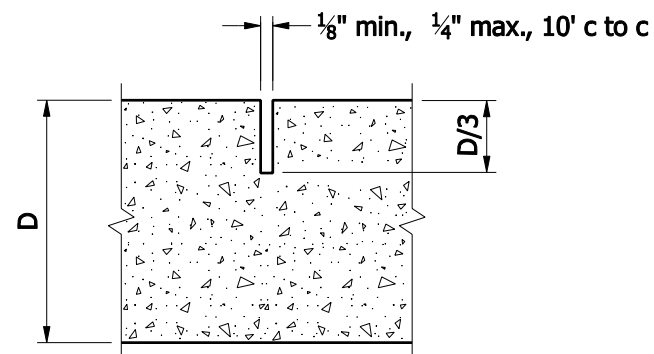
- T = Curb embedment-12" min.
- * = Curb face exposure height



CURB



COMBINED CURB & GUTTER



SECTION X-X

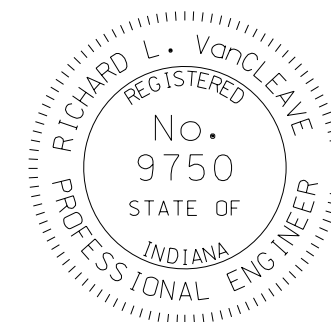
SAWED CONTRACTION JOINTS FOR CURB AND COMBINED CURB & GUTTER

INDIANA DEPARTMENT OF TRANSPORTATION

CONCRETE AND ASPHALT
CURBS AND SAWED JOINTS

SEPTEMBER 2008

STANDARD DRAWING NO. E 605-CCSJ-01



DESIGN STANDARDS ENGINEER

/s/ Richard L. VanCleave 09/02/08
DESIGN STANDARDS ENGINEER DATE

/s/ Mark A. Miller 09/02/08
CHIEF HIGHWAY ENGINEER DATE